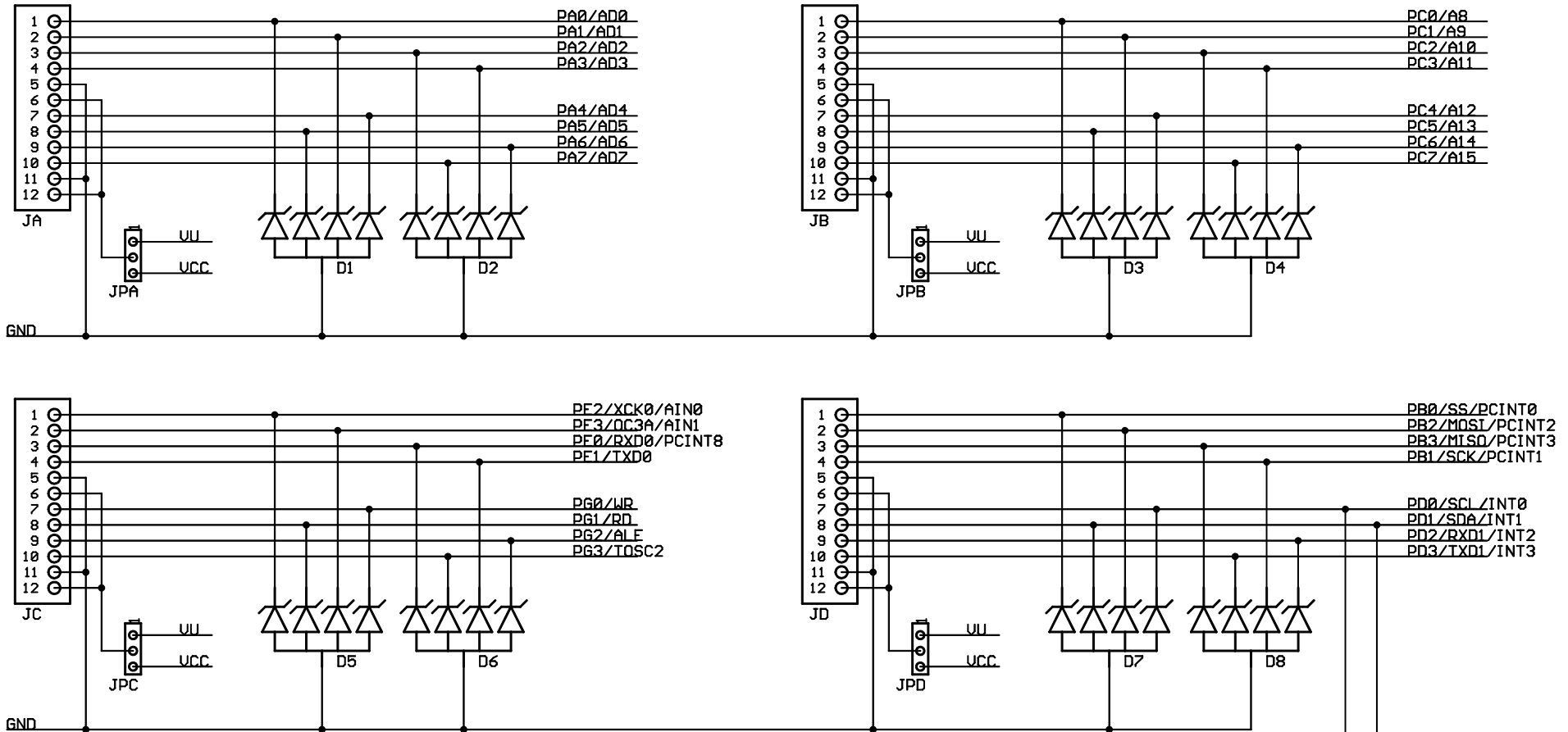
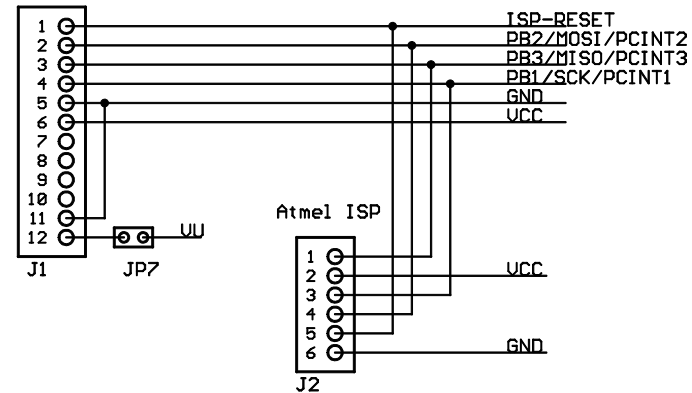


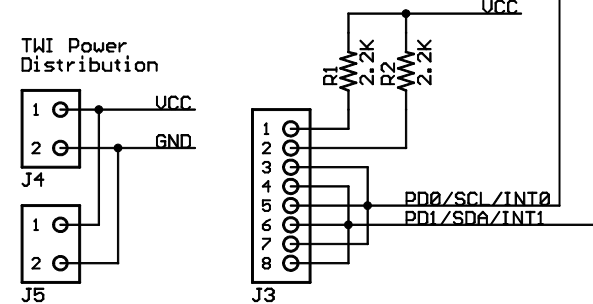
PMOD Connectors



Digilent ISP



TWI Daisy Chain



WEEE Digilent Inc.

Digilent Cerebot Plus

Copyright 2007, Digilent Inc.

Engineer: NEA

SHEET: Interface Connectors

Author: NEA

TITLE: Cerebot Plus

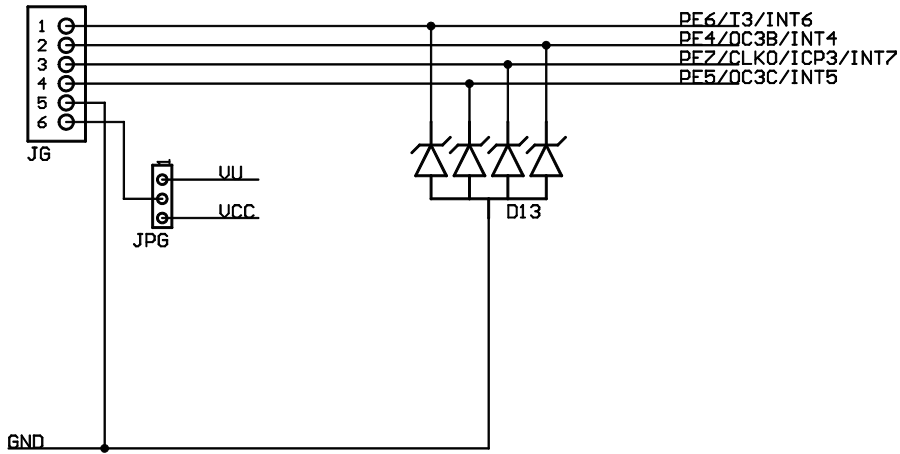
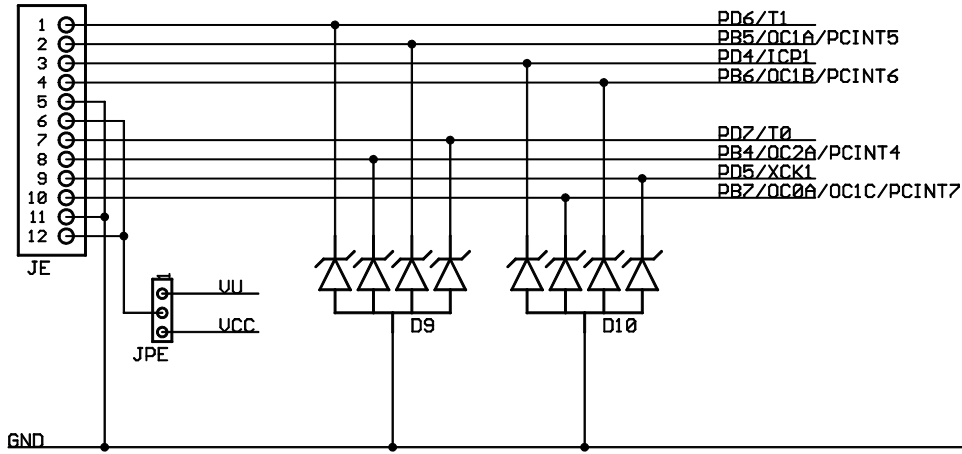
Rev: A

Doc#: 500-129

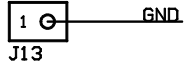
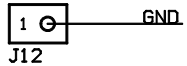
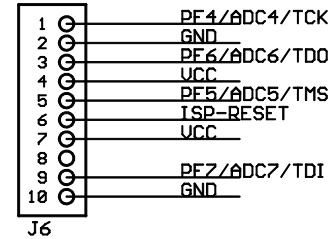
Date: 07/30/2007

Sheet: 1/8

PMOD Connectors

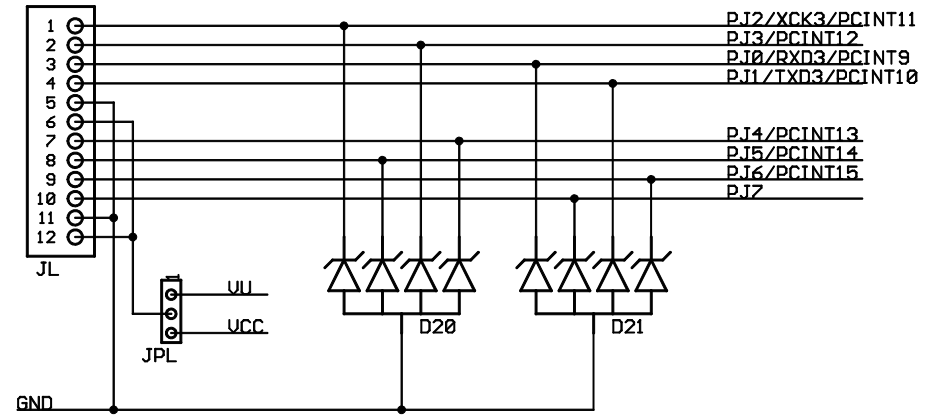
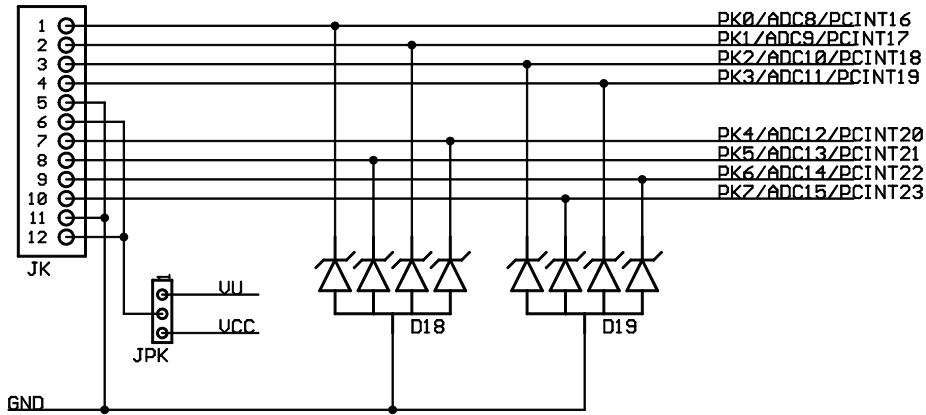
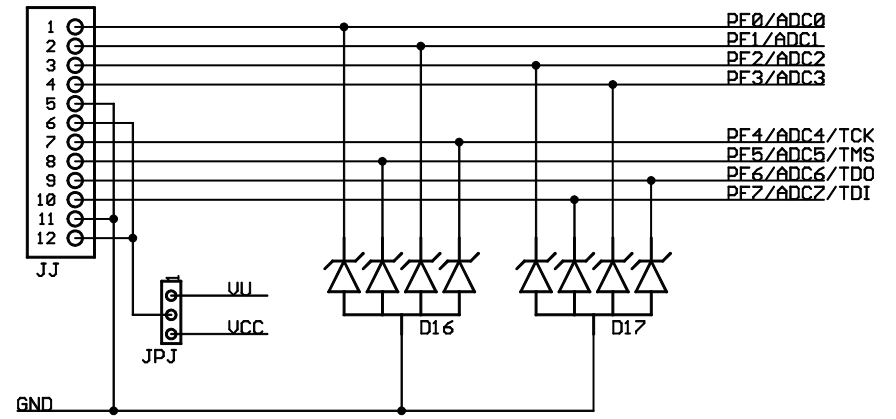
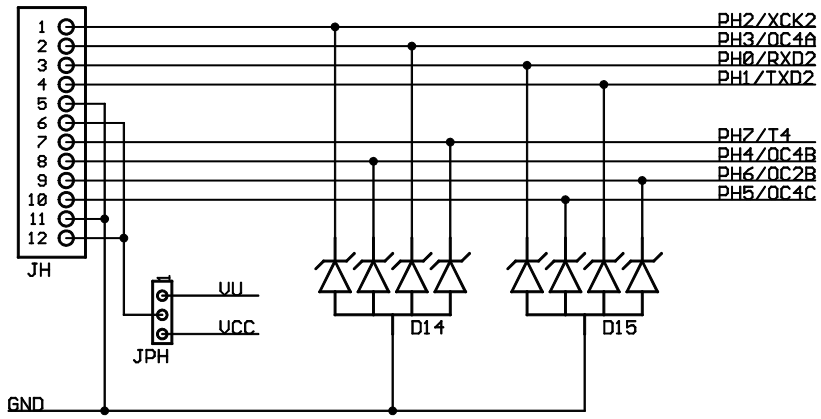


JTAG ICE-MKII Connector



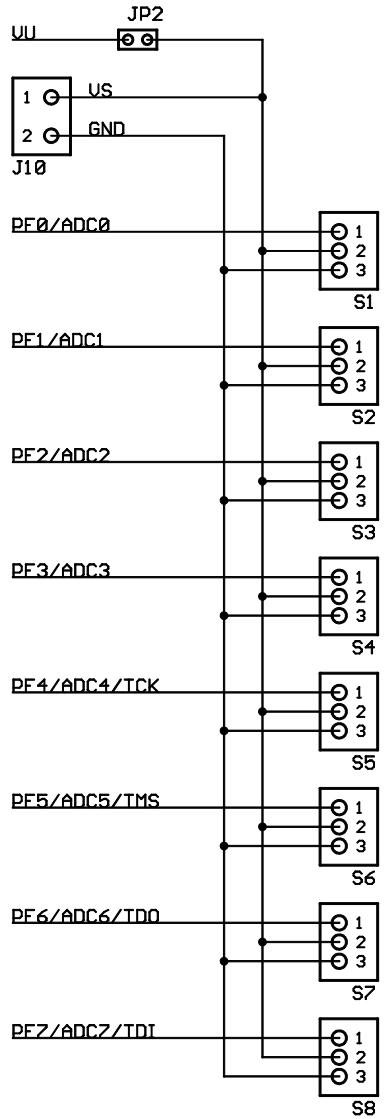
Digilent Cerebot Plus		Engineer: NEA
Copyright 2007, Digilent Inc.		Author: NEA
SHEET: Interface Connectors		Rev: A
TITLE: Cerebot Plus		Rev: A
Doc#: 500-129	Date: 07/30/2007	Sheet: 2/8

PMOD Connectors

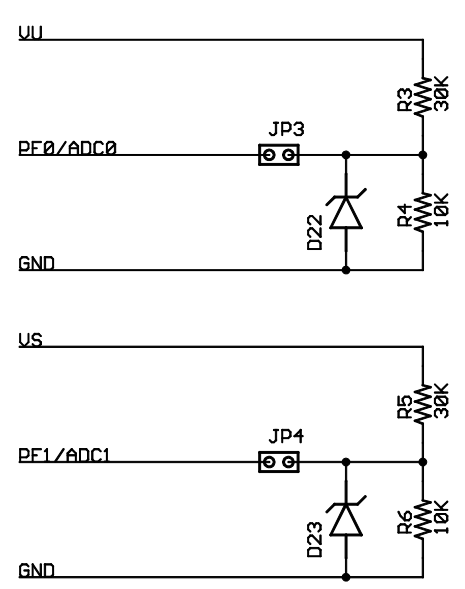


Digilent Cerebot Plus		Engineer: NEA
Copyright 2007, Digilent Inc.		Author: NEA
SHEET: Interface Connectors		Rev: A
TITLE: Cerebot Plus		Sheet: 3/8
Doc#: 500-129	Date: 07/30/2007	

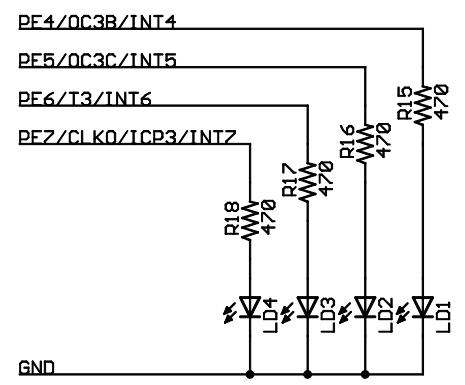
Servo Connectors



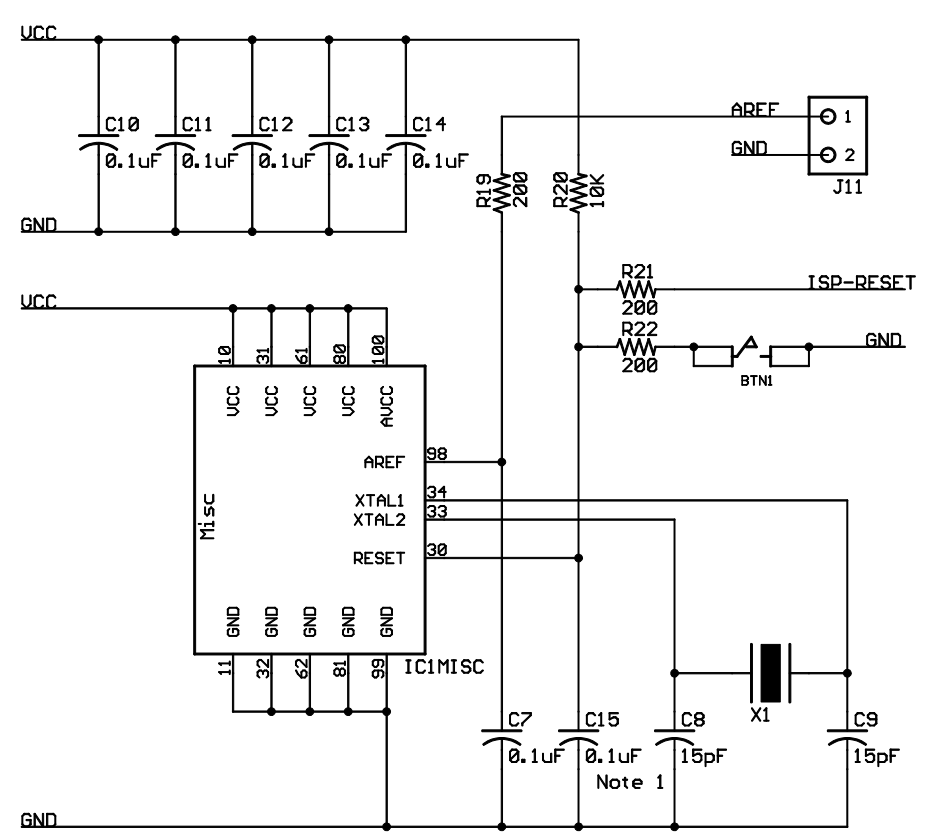
Power Supply Monitor



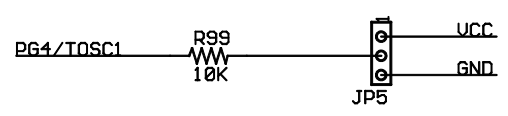
User LEDs



MCU Power and Misc Connections

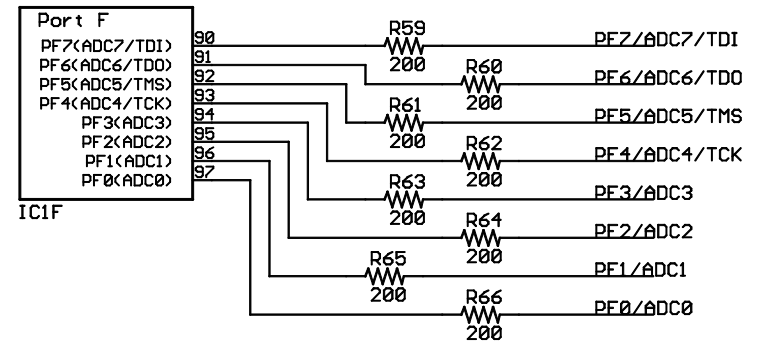
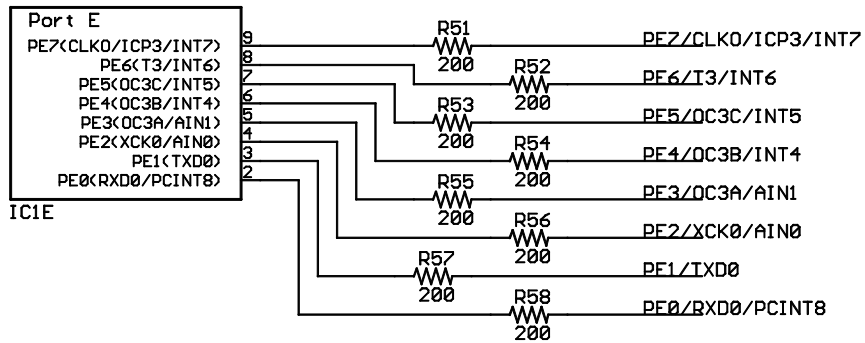
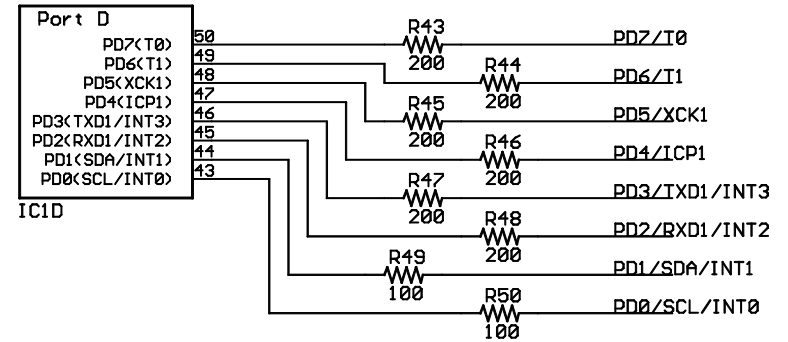
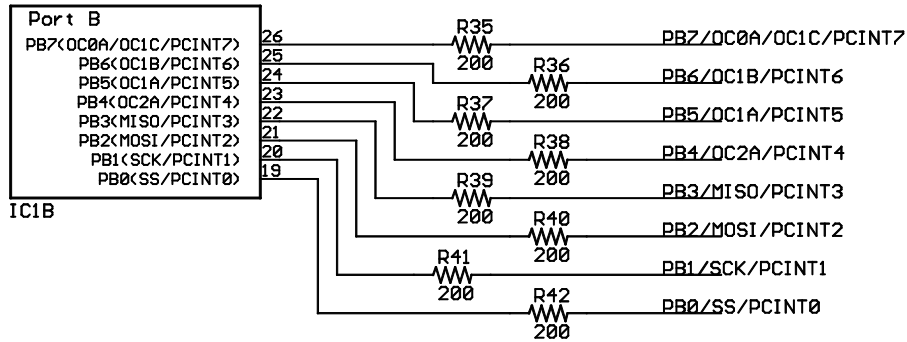


User Input Jumper



Note 1: No Load C15

Digilent Cerebot Plus		Engineer: NEA
Copyright 2007, Digilent Inc.		Author: NEA
SHEET: On-board I/O and MCU Misc.		Rev: A
TITLE: Cerebot Plus		Doc#: 500-129
Date: 07/30/2007	Sheet: 4/8	



Digilent Cerebot Plus

Copyright 2007, Digilent Inc.

Engineer: NEA

SHEET: MCU Ports

Author: NEA

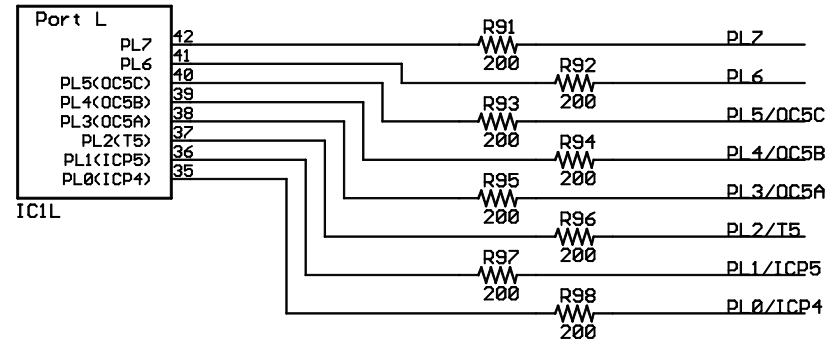
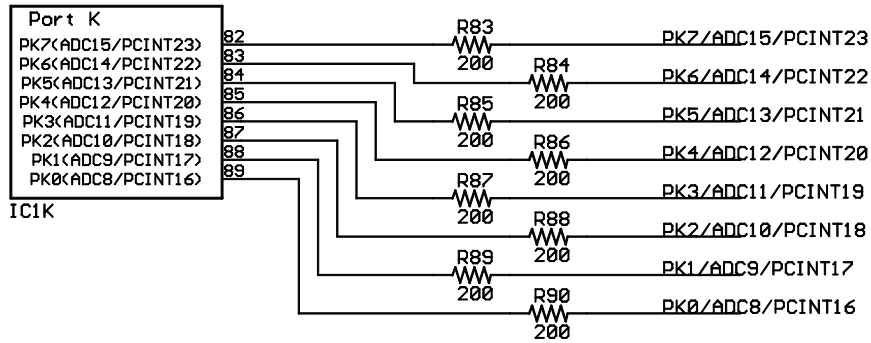
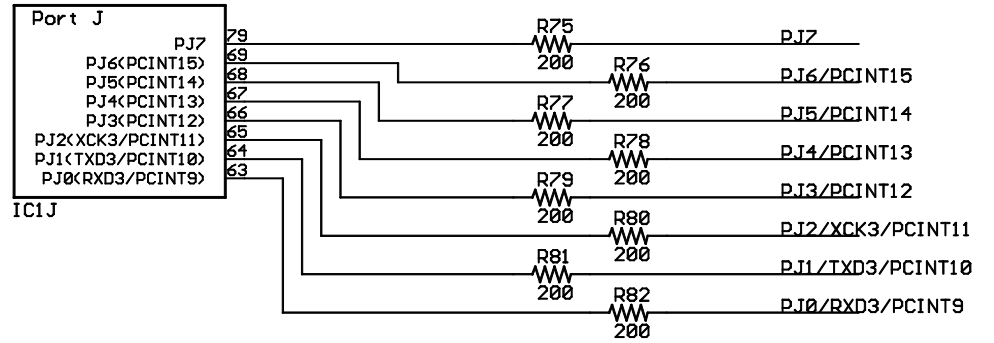
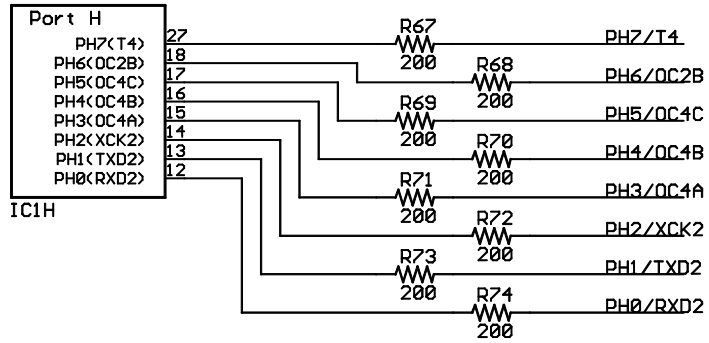
TITLE: Cerebot Plus

Rev: A

Doc#: 500-129

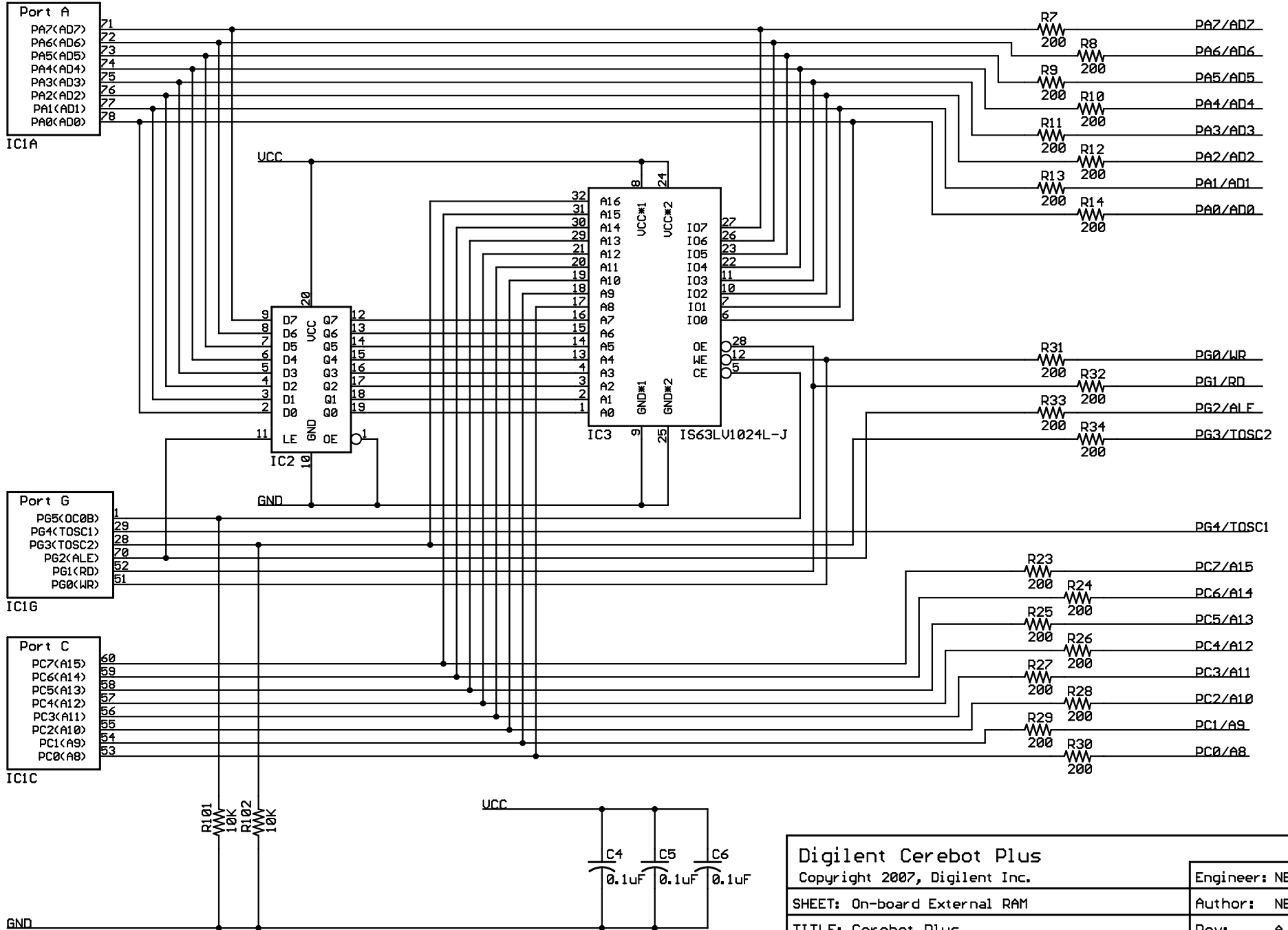
Date: 07/30/2007

Sheet: 5/8

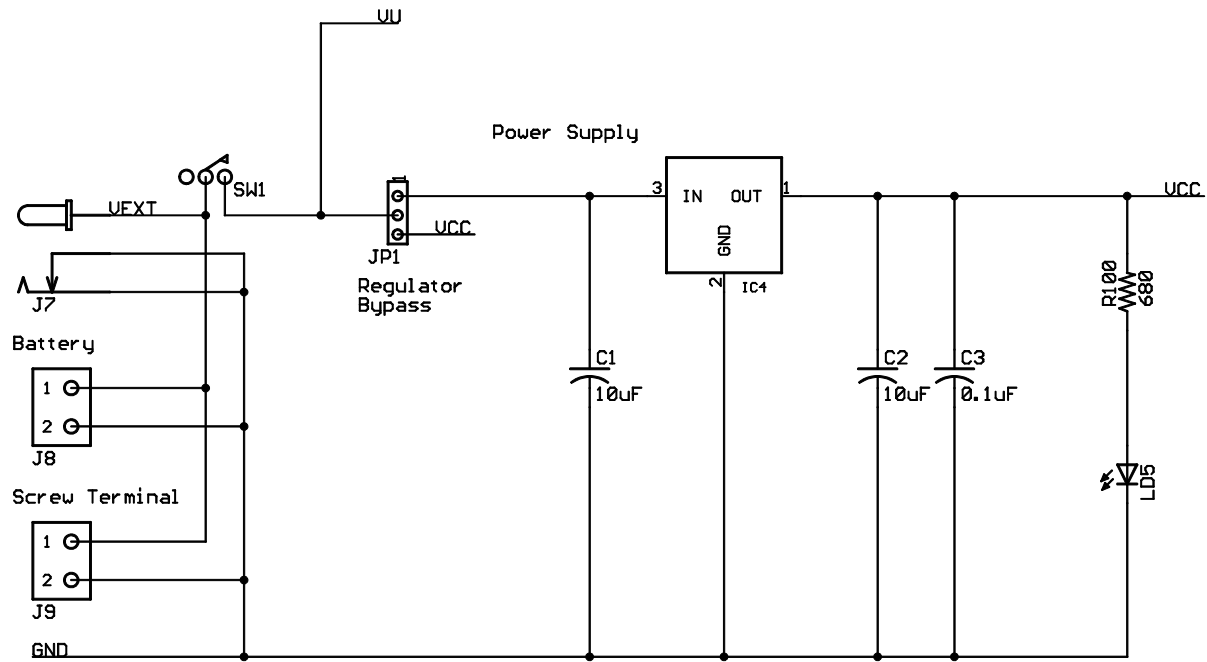


Digilent Cerebot Plus		Engineer: NEA
Copyright 2007, Digilent Inc.		Author: NEA
SHEET: MCU Ports		Rev: A
TITLE: Cerebot Plus		Date: 07/30/2007
Doc#: 500-129	Date: 07/30/2007	Sheet: 6/8

On Board Memory and External Bus Interface



Digilent Cerebot Plus		Engineer: NEA
Copyright 2007, Digilent Inc.		Author: NEA
SHEET: On-board External RAM		Rev: A
TITLE: Cerebot Plus		Sheet: 7/8
Doc#: 500-129	Date: 07/30/2007	



Digilent Cerebot Plus

Copyright 2007, Digilent Inc.

Engineer: NEA

SHEET: Power Supply

Author: NEA

TITLE: Cerebot Plus

Rev: A

Doc#: 500-129

Date: 07/30/2007

Sheet: 8/8