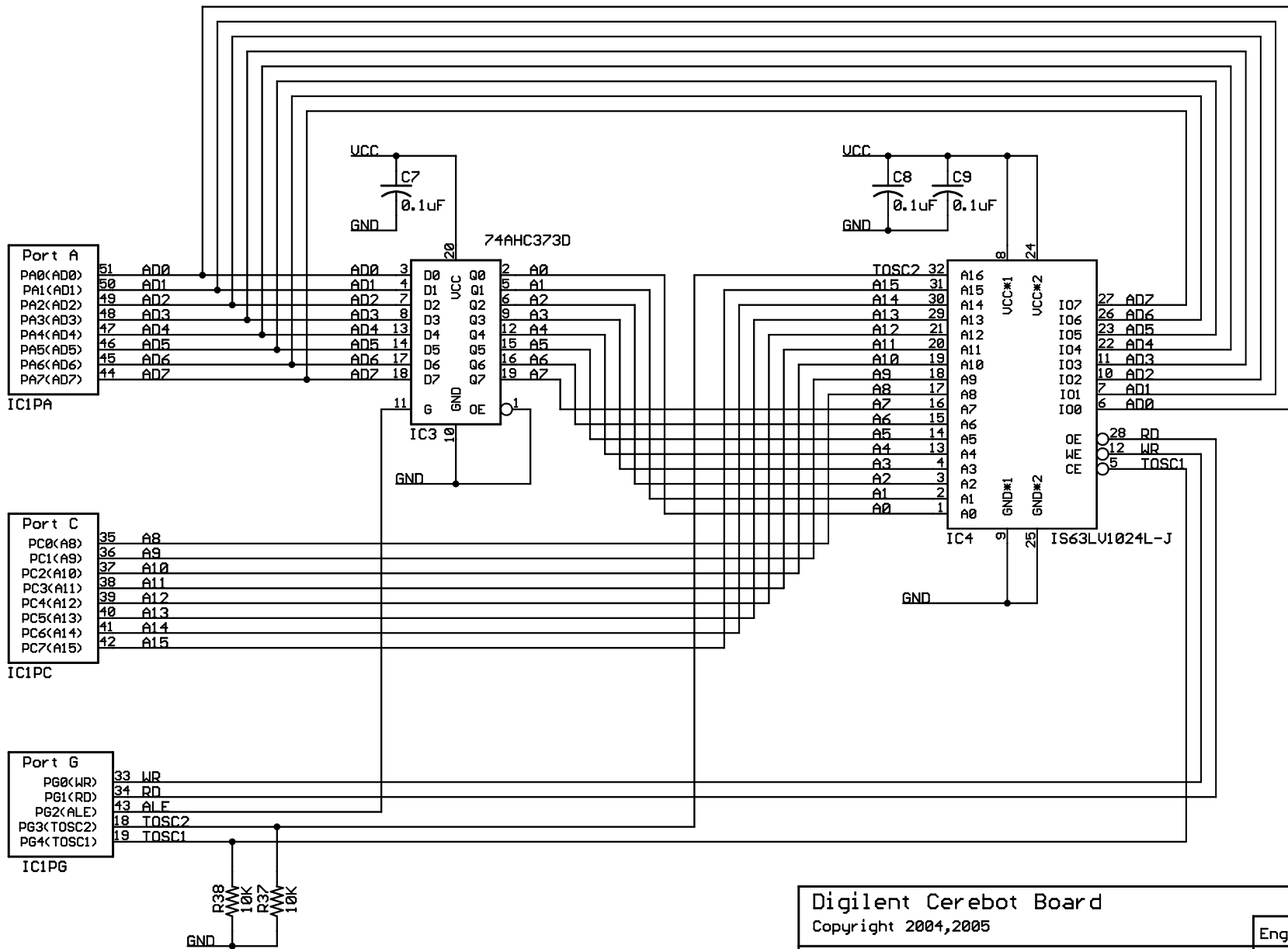
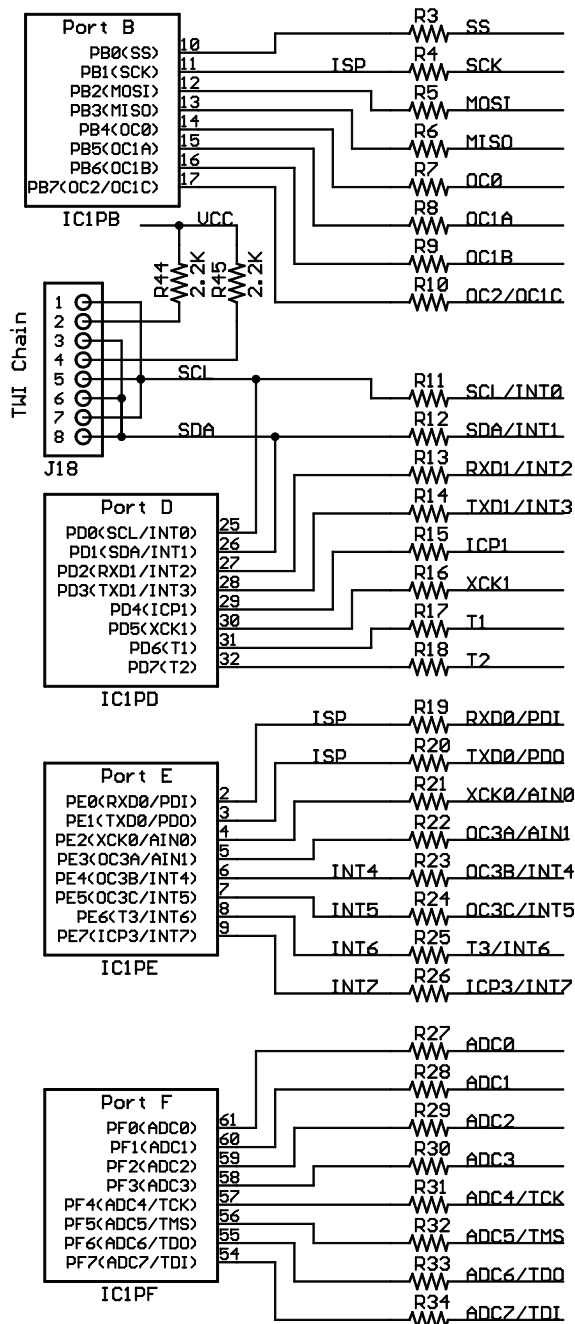


Digilent Cerebot Board	
Copyright 2004,2005	
TITLE: Cerebot	Engineer: NEA
Document Number: 500-075	Author: GMA
Release Date: 2/24/2005	Rev: E
	Sheet:1/4

### Memory Connections

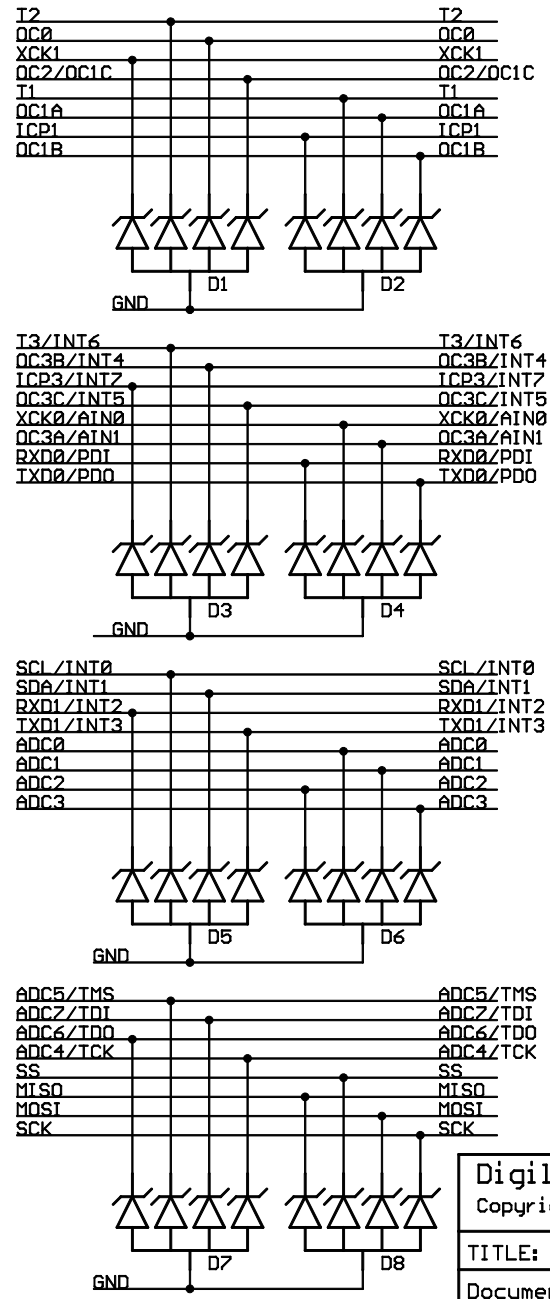


<b>Digilent Cerebot Board</b>	
Copyright 2004,2005	
TITLE: Cerebot	Engineer: NEA
Document Number: 500-075	Author: GMA
Release Date: 2/24/2005	Rev: E
	Sheet: 2/4

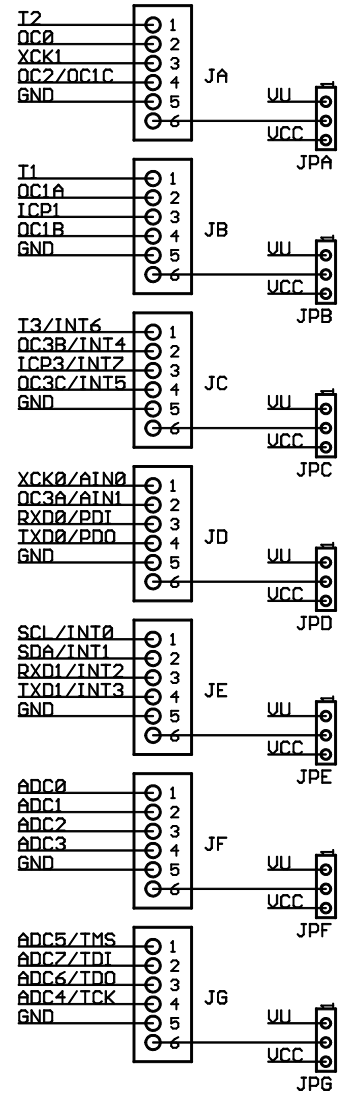


NOTE: R3-R34 are 100ohm resistors

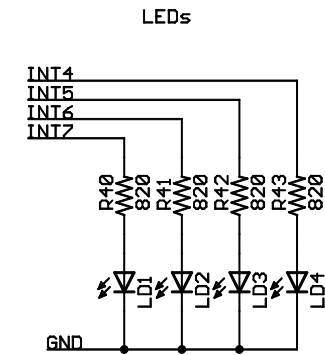
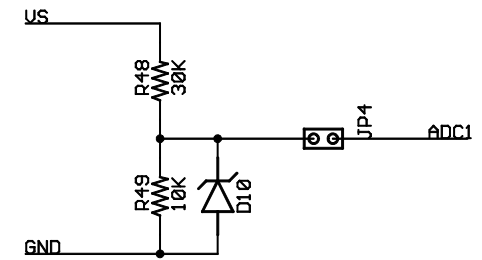
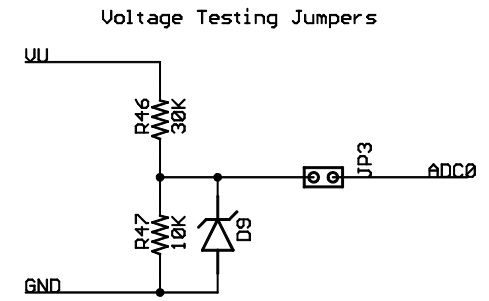
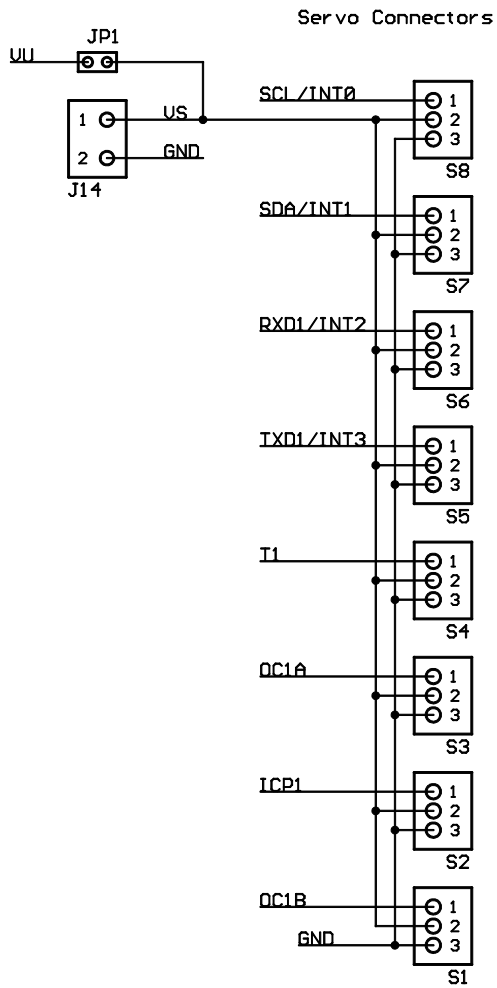
ESD Protection Circuit



6-pin Peripheral Headers



Digilent Cerebot Board		Engineer: NEA
Copyright 2004,2005		Author: GMA
TITLE: Cerebot		Rev: E
Document Number: 500-075		Sheet: 3/4
Release Date: 2/24/2005		



<b>Digilent Cerebot Board</b>	
Copyright 2004,2005	
TITLE: Cerebot	Engineer: NEA
Document Number: 500-075	Author: GMA
Release Date: 2/24/2005	Rev: E
	Sheet: 4/4