

# Digilent Pmod8LD™ Reference Manual

Revision: June 3, 2009



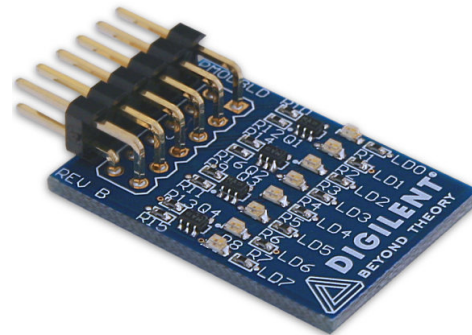
215 E Main Suite D | Pullman, WA 99163  
(509) 334 6306 Voice and Fax

## Overview

The Pmod8LD has eight high-bright LEDs that are driven by logic-level transistors so each LED can be illuminated with a logic high signal that provides less than 1mA of current.

Features include:

- eight high bright green LEDs
- a 12-pin system connector
- a transistor amplifier system that allows low-power logic-level control
- small form factor (0.80" x 1.10").



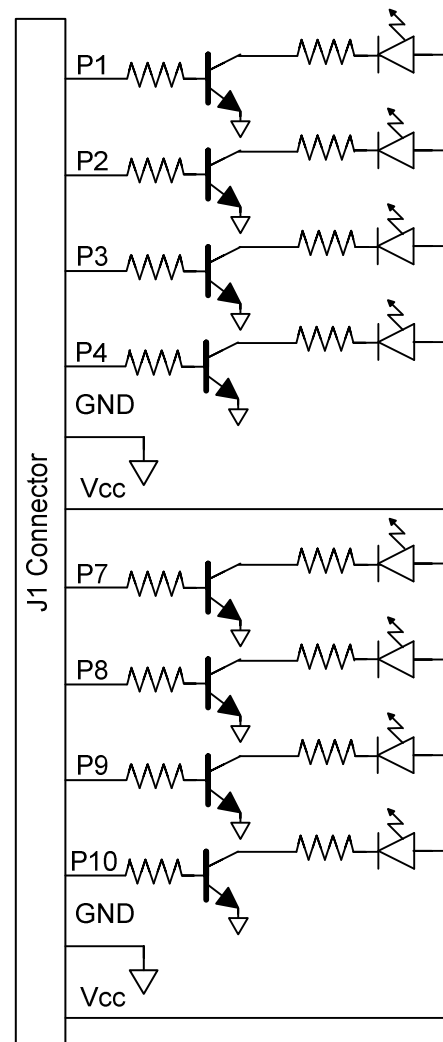
## Functional Description

Each LED can be activated separately or simultaneously. To activate an LED, the pin connected to the LED must receive about 1mA of current.

The LED module has a 12-pin header for easy connection to a Digilent system board. For some boards, using a 6-pin cable for connection may be preferable, especially with 6-pin headers.

For older boards, a Digilent Modular Interface Board (MIB) and a 6-pin cable may be needed. The MIB plugs into the system board, and the cable connects the MIB to the LED module.

For more information see [www.digilentinc.com](http://www.digilentinc.com).



**Pmod8LD Module Circuit Diagram**