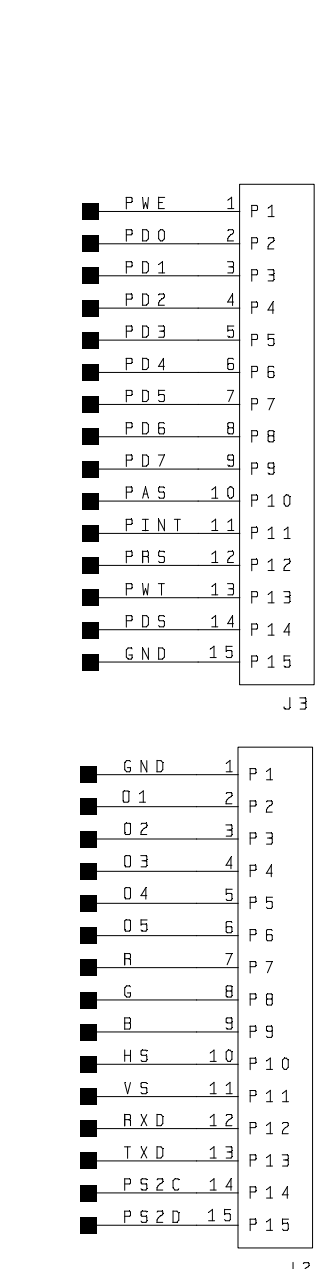
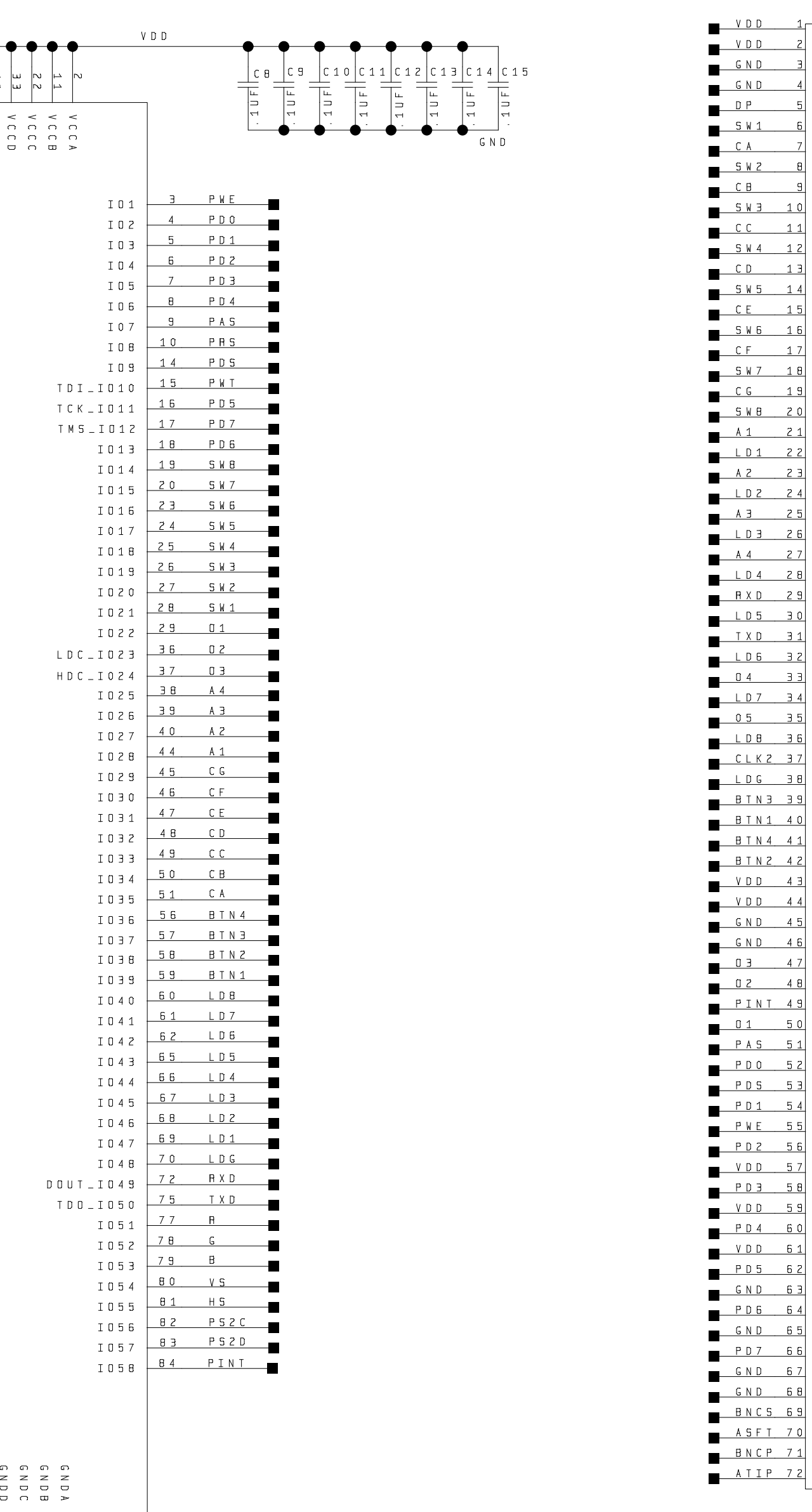


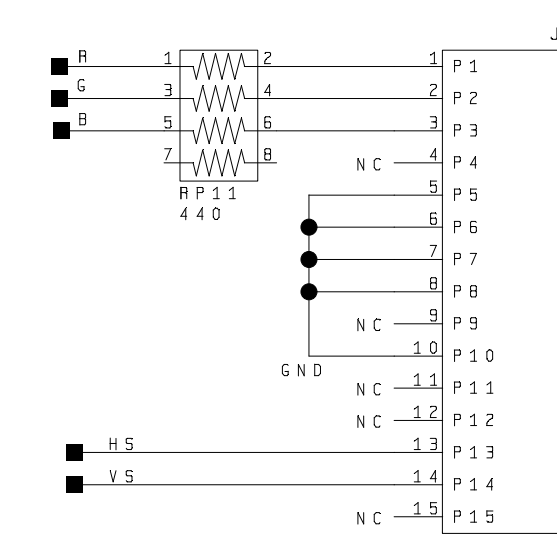
Test point headers



72-pin DIP socket

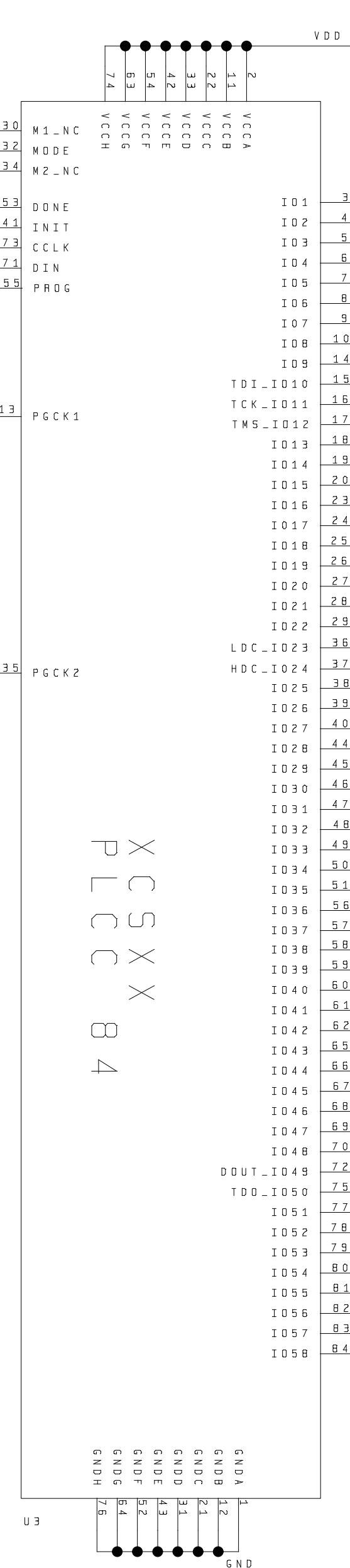


VGA Port

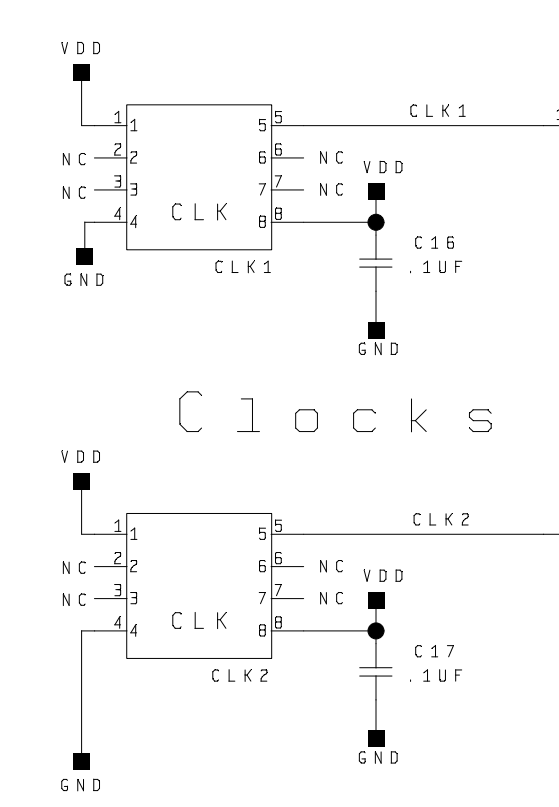


Digilab XL board  
Clint Cole Summer 2000

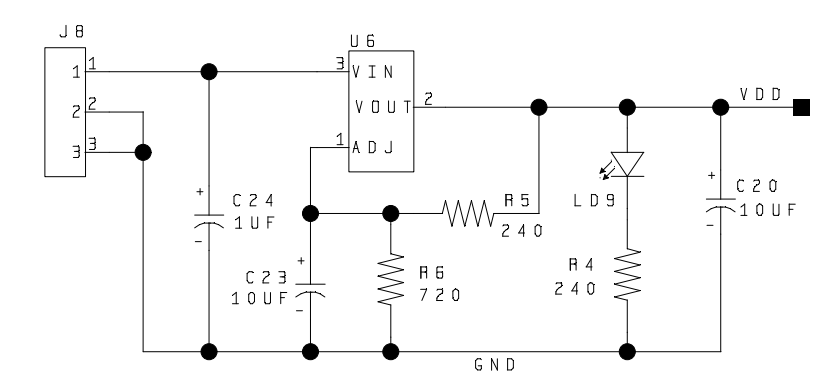
XCSX 84  
PLCC 84



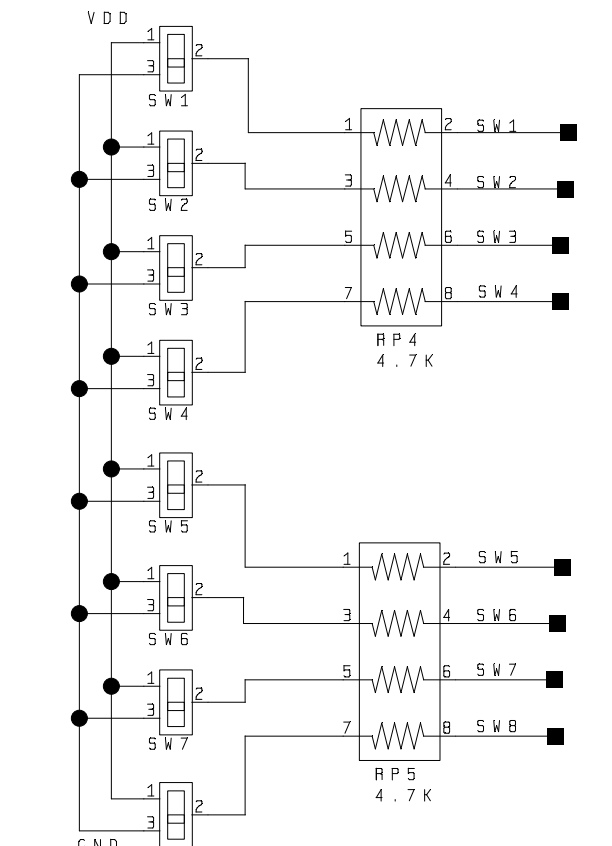
Clocks



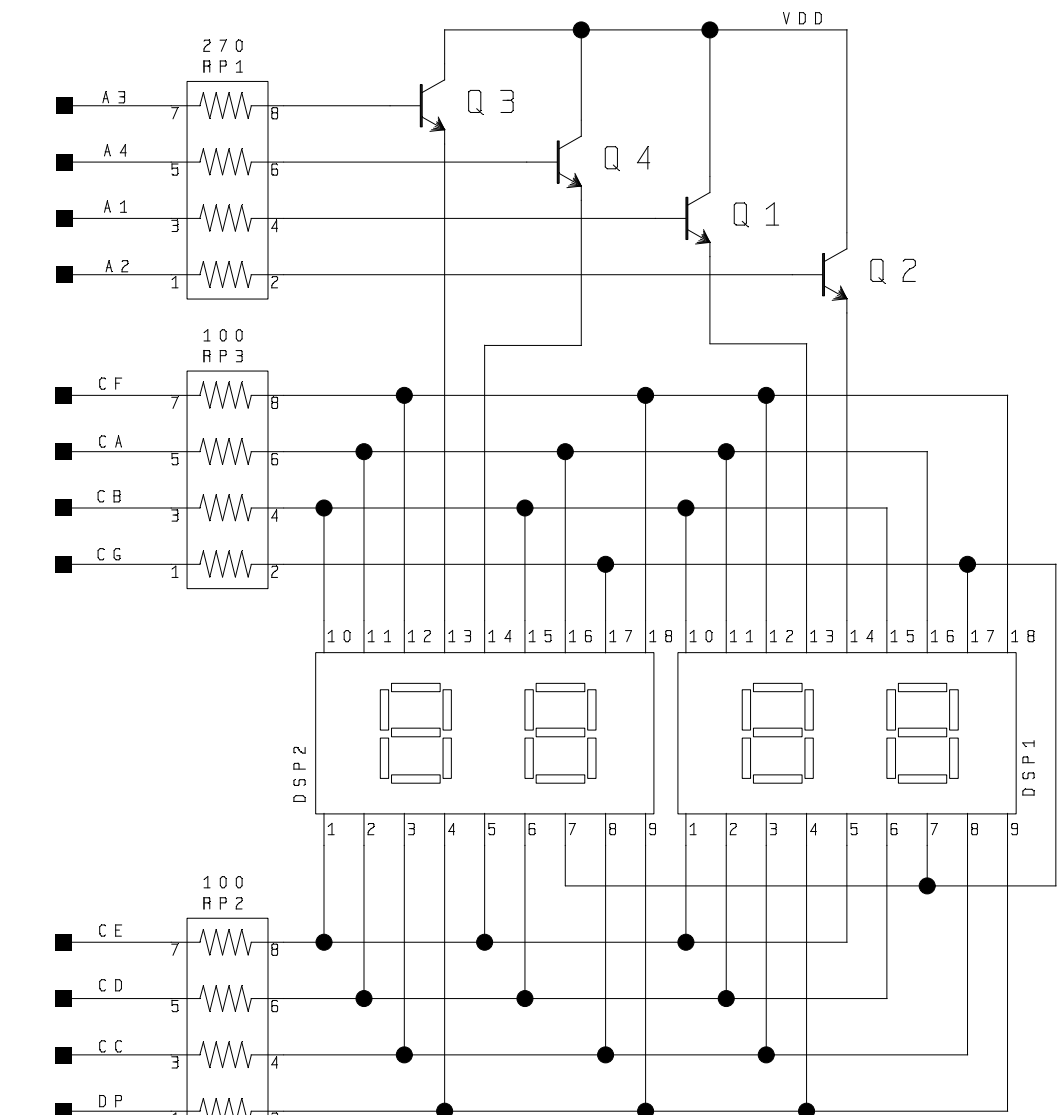
Power Input



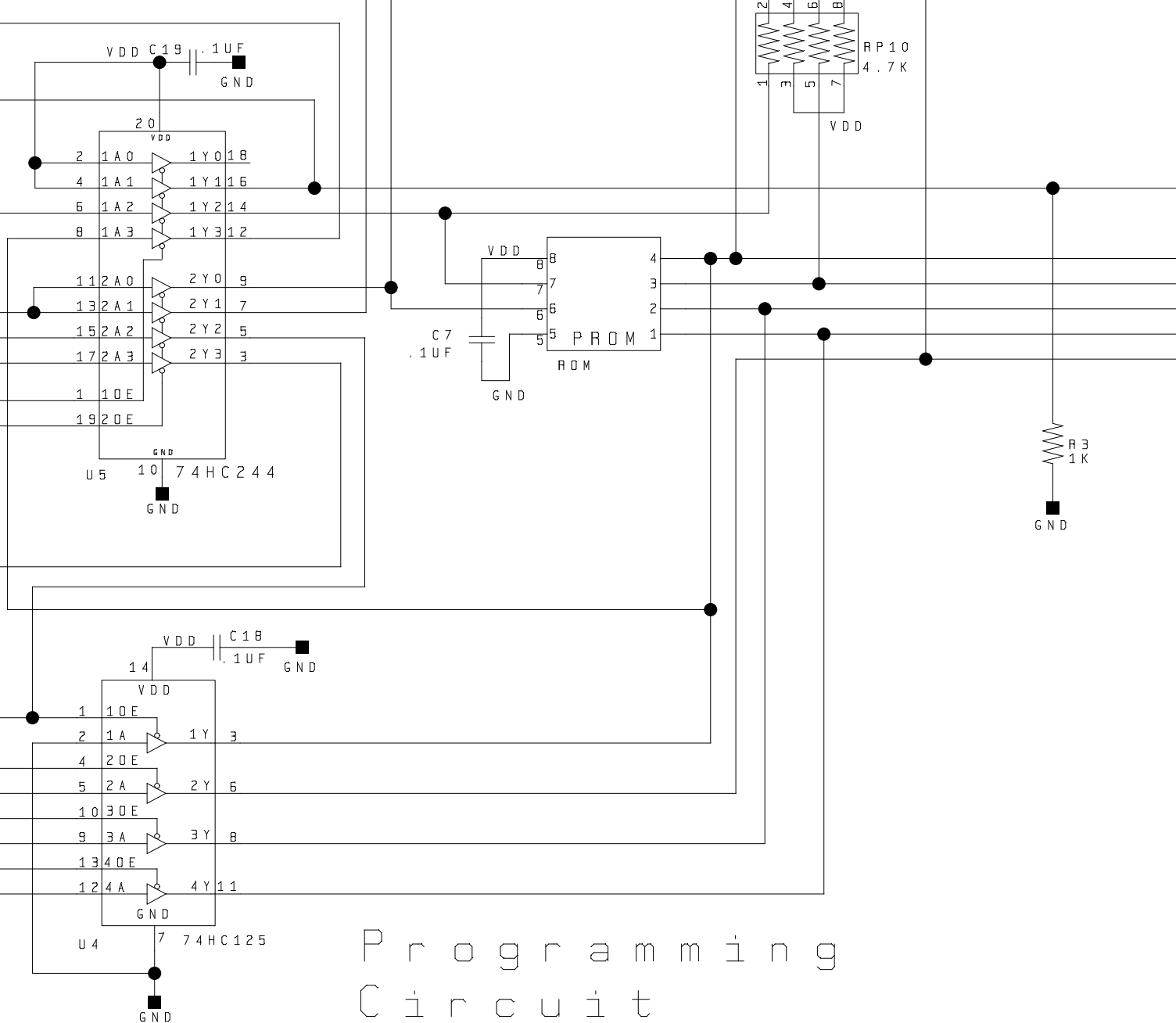
Slide Switches



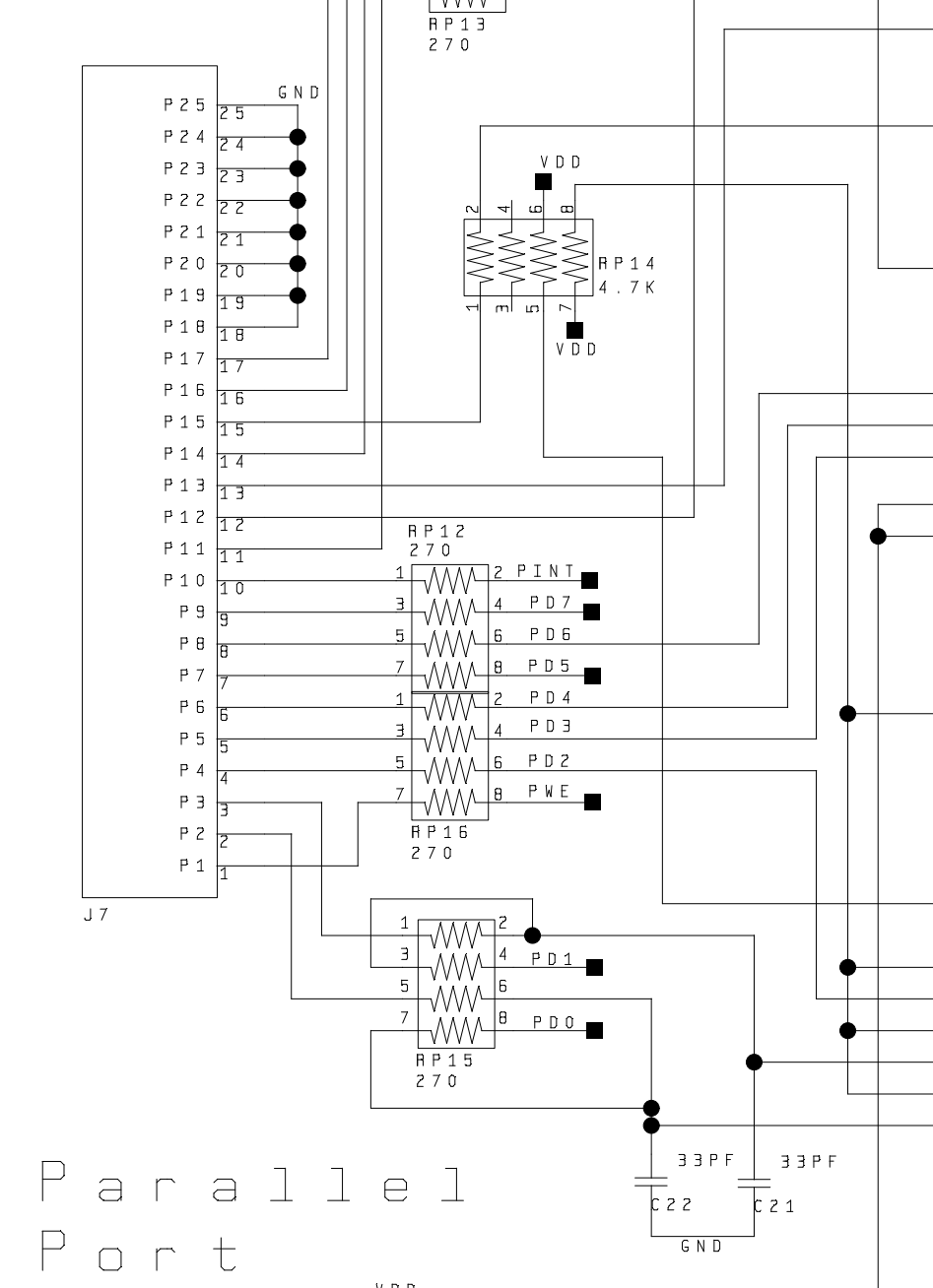
Seven-segment displays



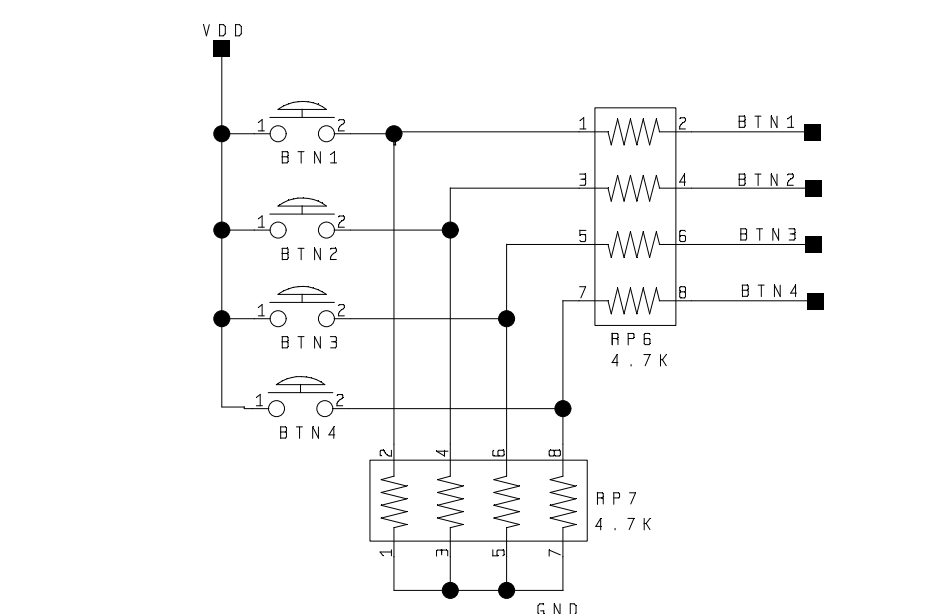
Programming Circuit



Parallel Port



Push Buttons



LEDs

